

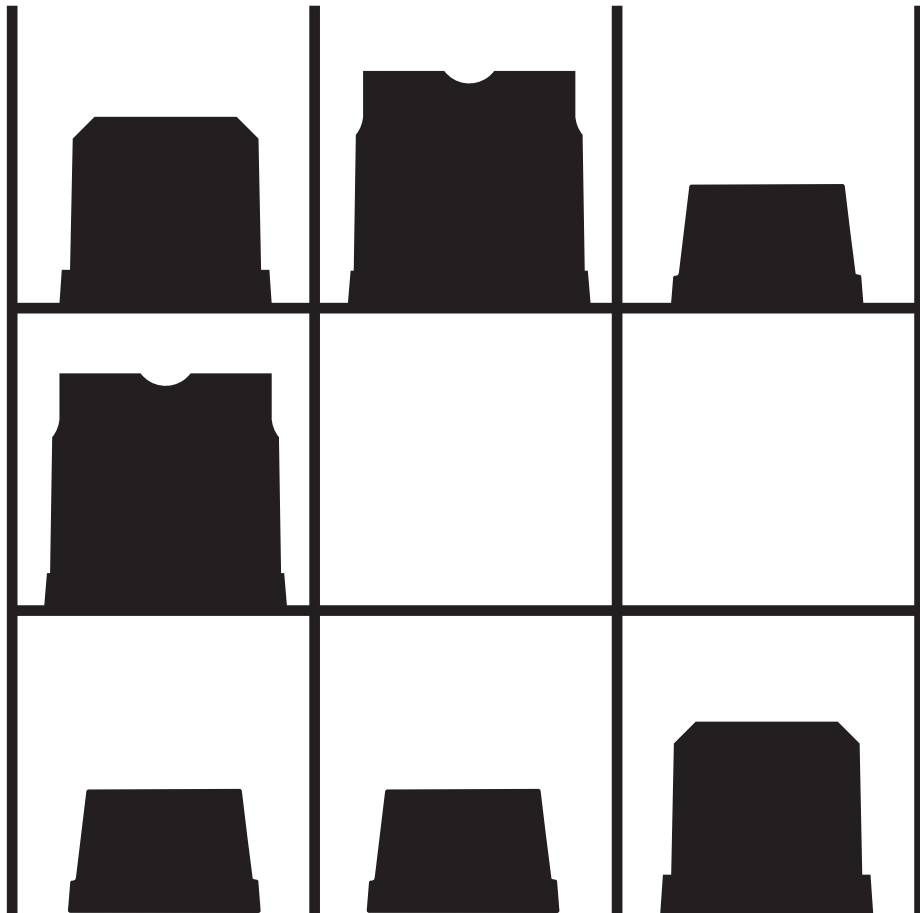
ICETECH[®]
ICE CUBE MAKERS

**Innovation
Inspired by Ice.**

SS	02
SL	06
PS	10
CD	14
GR	18
FD/HD	22
BIN	26
FILTERS	30

SS

3 Sizes, 3 Shapes...



General Features

ICE TECH SS series are designed for the hospitality industry: bars, restaurants, pubs...incorporating innovative features.

ICE TECH SS Gourmet full ice cube is the most desired ice cube either for the professional or consumer. Ideal to be used with soft drinks and spirits.

ICE TECH SS ice cubes melt very slowly, allowing customers to enjoy cooled drinks longer.

AISI 304 Stainless Steel external high quality finishing with integrated door improves machine cleanliness.

HCFC free foam injected polyurethane for outstanding insulation, **ICE TECH SS** machine will preserve the consistency and the quality of the ice produced, longer than any other machine.

All parts in contact with water have been designed in order to minimize their friction and to ensure maximum surface tension, reducing substantially the sound level.

Technical Features / Operating Limits

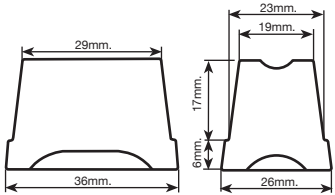
Ice Cube	M 22 gr. L 34 gr. IT SS 25 produce S size cube, 14 gr.
Body	AISI 304 Stainless Steel
Spray System	with special flexible spray nozzles ICE TECH patented and designed to prevent the calcareous buildup
Electromechanic Controls	machines are timer and thermostat operated. Simple, easy to understand and service. High reliability and low spare parts cost
Switch	External On/Off switch
Tropicalized Machines	Class T
Range	Air Temperature: 5 – 40 °C Water Temperature: 5 – 35 °C Pressure: 0,7 – 6 bar
Ice Production Capacity	Kg/24h at Ambient Temperature 15°C, Water Temperature 10°C
Certification	ISO 9001, CE
Others	Refrigerant R404 Water inlet connection 3/4" Gas Drain 20mm. connection Single phase input 220V–50Hz / 220V-60Hz

Gourmet Full Ice Cubes

S

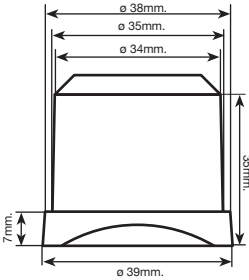
14gr.

Only IT SS 25



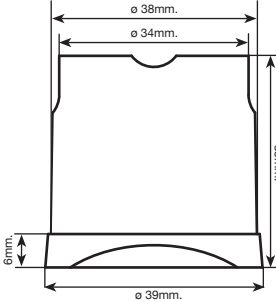
M

22gr.

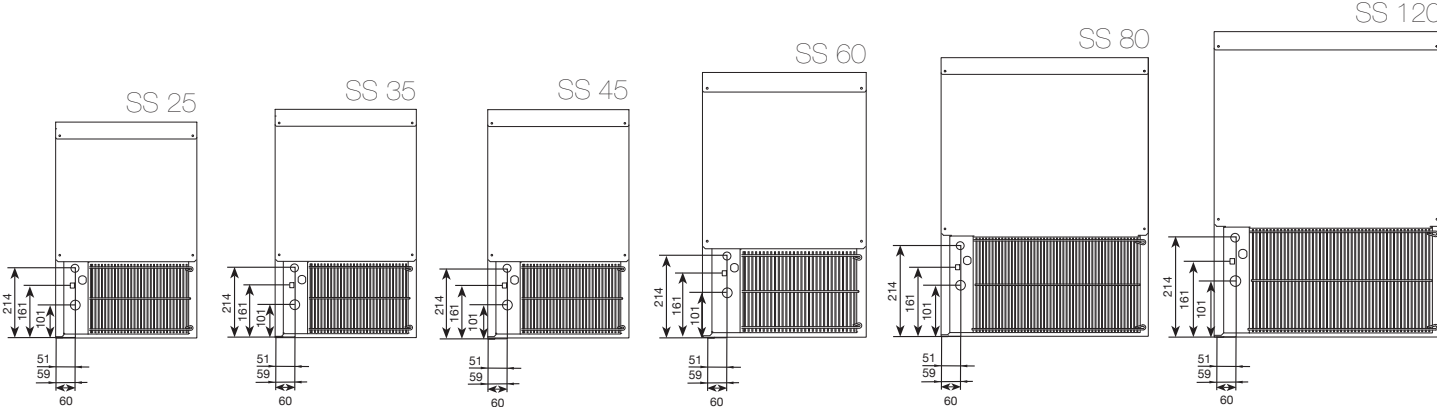


L

34gr.




Installation Scheme / mm.



Range

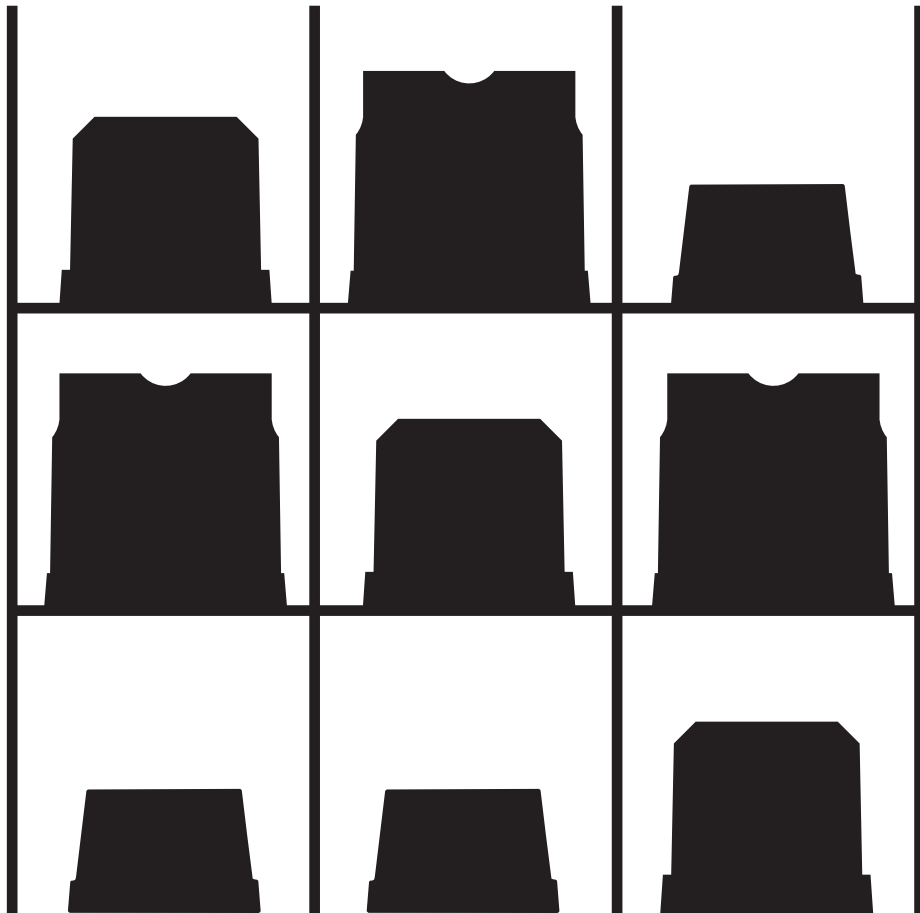


Model

Model	Ice Cube	Condensation System	Production Kg. / Day	Storage Kg.	Maximum Power Input W.	 WIDTH x DEPTH x HEIGHT Dimensions mm.	Refrigerant R404 Gr.
ICE TECH SS 25	S	Air	22	6	360	350 x 470 x 590	300
		Water	25	6	360		230
ICE TECH SS 35	M, L	Air	33	15	400	435 x 605 x 695	220
		Water	35	15	400		210
ICE TECH SS 45	M, L	Air	42	15	450	435 x 605 x 695	225
		Water	44	15	450		210
ICE TECH SS 60	M, L	Air	54	30	460	515 x 640 x 830	250
		Water	57	30	460		220
ICE TECH SS 80	M, L	Air	75	40	720	645 x 640 x 860	280
		Water	81	40	720		300
ICE TECH SS 120	M, L	Air	115	60	1150	930 x 565 x 1050	500
		Water	121	60	1150		340

SL

Tic Tac Toe!



General Features

ICE TECH SL series are designed for the hospitality industry: bars, restaurants, pubs...incorporating innovative features.

ICE TECH SL Gourmet full ice cube is the most desired ice cube either for the professional or consumer. Ideal to be used with soft drinks and spirits.

ICE TECH SL ice cubes melt very slowly, allowing customers to enjoy cooled drinks longer.

A nice and esthetic external high quality. Finishing with integrated door improves machine cleanliness.

HCFC free foam injected polyurethane for outstanding insulation, **ICE TECH SL** machine will preserve the consistency and the quality of the ice produced, longer than any other machine.

All parts in contact with water have been designed in order to minimize their friction and to ensure maximum surface tension, reducing substantially the sound level.

Technical Features / Operating Limits

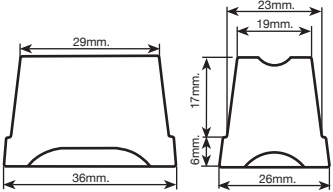
Ice Cube	M 22 gr. L 34 gr. IT SL 25 produce S size cube, 14 gr.
Body	Steel SL
Spray System	with special flexible spray nozzles ICE TECH patented and designed to prevent the calcareous buildup
Electromechanic Controls	machines are timer and thermostat operated. Simple, easy to understand and service. High reliability and low spare parts cost
Switch	External On/Off switch
Tropicalized Machines	Class T
Range	Air Temperature: 5 – 40 °C Water Temperature: 5 – 35 °C Pressure: 0,7 – 6 bar
Ice Production Capacity	Kg/24h at Ambient Temperature 15°C, Water Temperature 10°C
Certification	ISO 9001, CE
Others	Refrigerant R404 Water inlet connection 3/4" Gas Drain 20mm. connection Single phase input 220V-50Hz / 220V-60Hz

Gourmet Full Ice Cubes

S

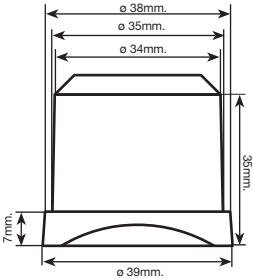
14gr.

Only IT SL 25



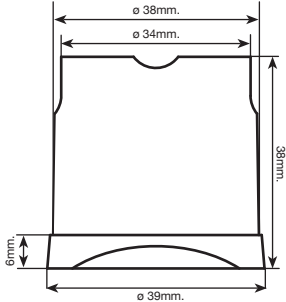
M

22gr.

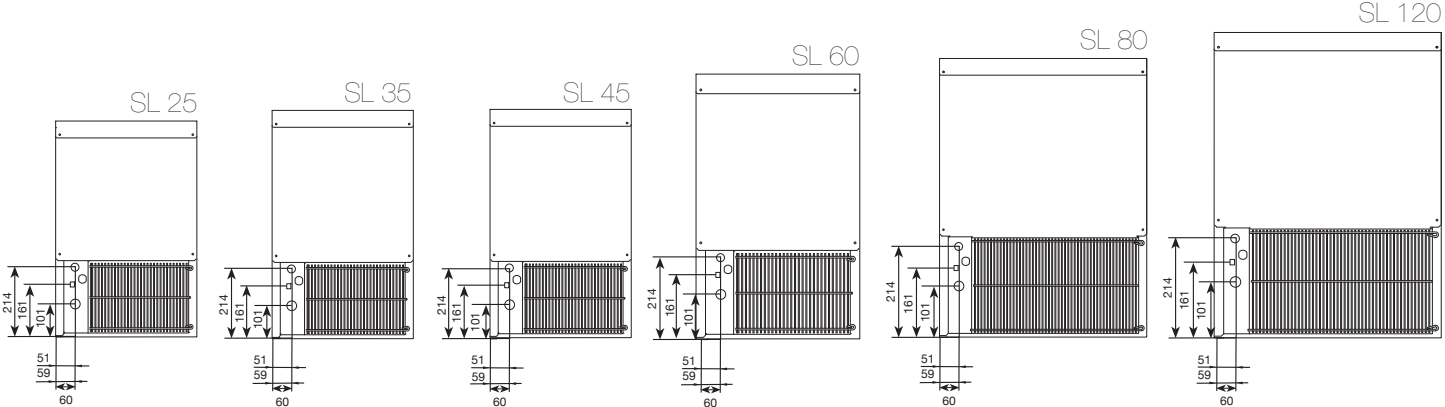


L

34gr.




Installation Scheme / mm.



Range

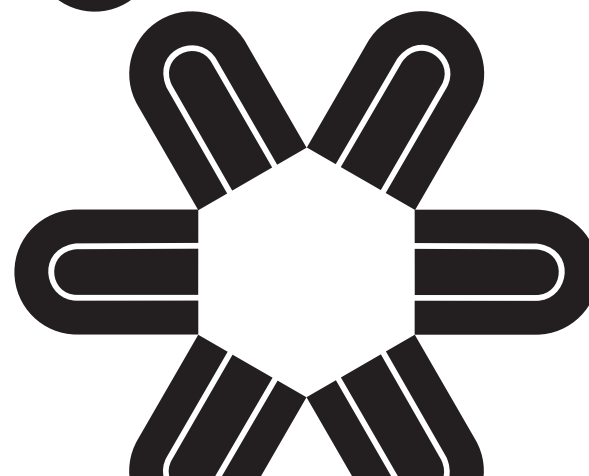
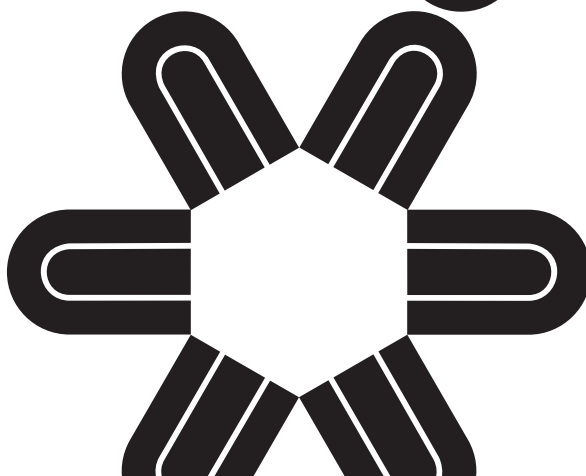
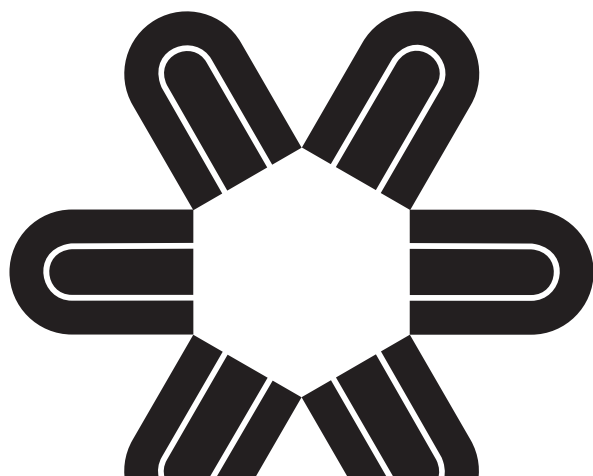
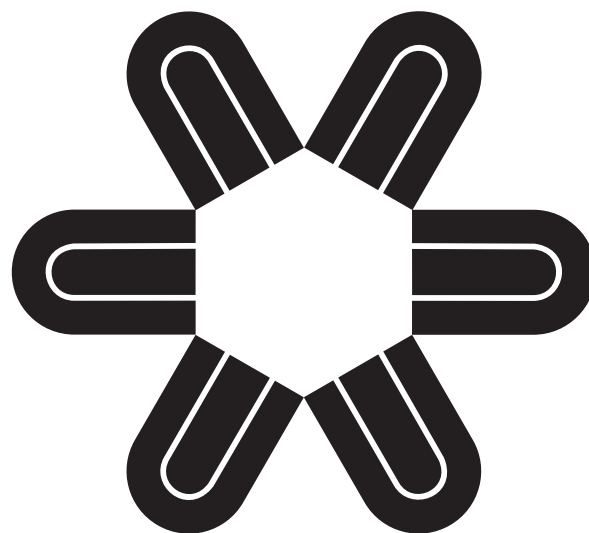


Model

Model	Ice Cube	Condensation System	Production Kg. / Day	Storage Kg.	Maximum Power Input W.	 WIDTH x DEPTH x HEIGHT Dimensions mm.	Refrigerant R404 Gr.
ICE TECH SL 25	S	Air	22	6	360	350 x 470 x 590	300
		Water	25	6	360		230
ICE TECH SL 35	M, L	Air	33	15	400	435 x 605 x 695	220
		Water	35	15	400		210
ICE TECH SL 45	M, L	Air	42	15	450	435 x 605 x 695	225
		Water	44	15	450		210
ICE TECH SL 60	M, L	Air	54	30	460	515 x 640 x 830	250
		Water	57	30	460		220
ICE TECH SL 80	M, L	Air	75	40	720	645 x 640 x 860	280
		Water	81	40	720		300
ICE TECH SL 120	M, L	Air	115	60	1150	930 x 565 x 1050	500
		Water	121	60	1150		340

PS

Just Ideal!



General Features

Just Ideal! The best cube your drink and your ice machine can get!

Large volume and finger sized cubes for efficient cooling with maximum heat transfer in the hottest of ambient temperatures.

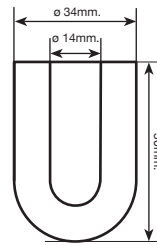
The paddle machine, **ICE TECH PS** is fully electro mechanical controled with no jets or injectors powered by a pump making your **ICE TECH PS** machine extremely reliable at toughest water conditions.

The high grade foodsafe stainless steel and superior density isolation will ensure quality with an optimized energy consumption.

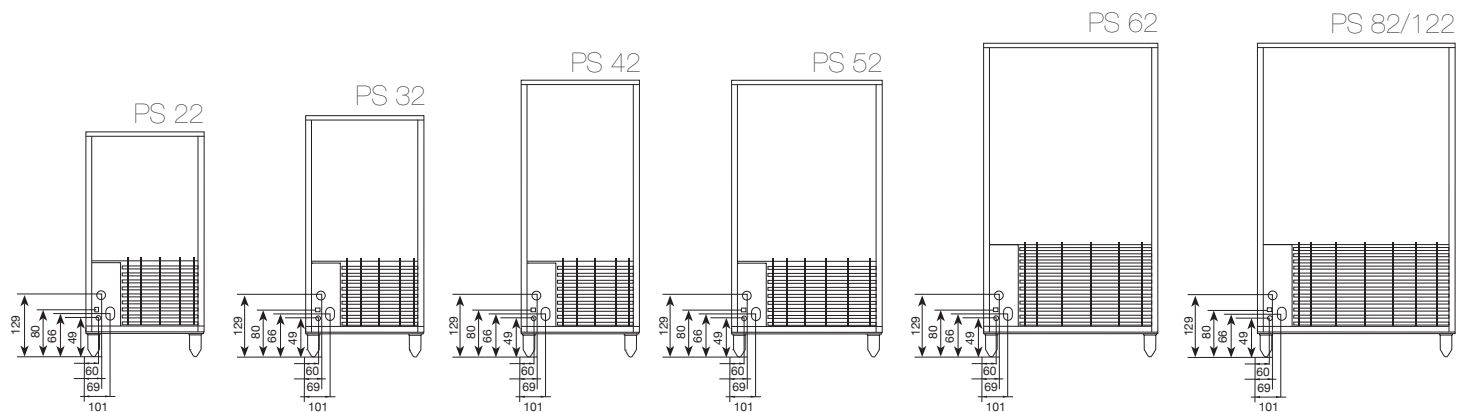
Technical Features / Operating Limits

Ice Cube	30 gr. adjustable soft & longlasting
Body	AISI 304 Stainless Steel
Spray System	paddle system: The ICE TECH PS machine are unaffected by lime or bad water. No pump and no spray
Electromechanic Controls	machines are timer and switch operated. Simple, easy to understand and service. High reliability and low spare parts cost
Switch	The ICE TECH PS don't have thermostat and are electronics-free machine
Tropicalized Machines	Class T
Range	Air Temperature: 5 – 40 °C Water Temperature: 5 – 35 °C Pressure: 0,7 – 6 bar
Ice Production Capacity	Kg/24h at Ambient Temperature 15°C, Water Temperature 10°C
Certification	ISO 9001, CE
Others	Refrigerant R404 Water inlet connection 3/4" Gas Drain 20mm. connection Single phase input 220V-50Hz / 220V-60Hz

Ice Cube




Installation Scheme / mm.



Range

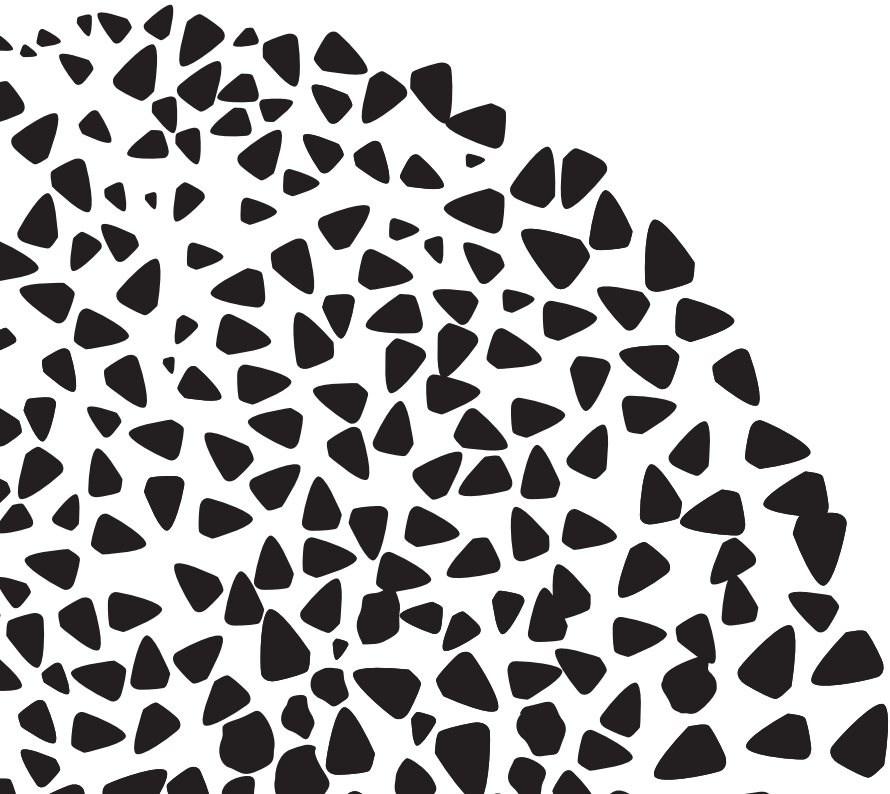


Model

Model	Condensation System	Production Kg. / Day	Storage Kg.	Maximum Power Input W.	 WIDTH x DEPTH x HEIGHT Dimensions mm.	Refrigerant R404 Gr.
ICE TECH PS 22	Air	19	9	330	405 x 640 x 510	260
	Water	21	9	330		190
ICE TECH PS 32	Air	29	12	330	405 x 745 x 510	265
	Water	34	12	330		195
ICE TECH PS 42	Air	38	20	355	405 x 870 x 510	270
	Water	41	20	355		210
ICE TECH PS 52	Air	49	25	425	515 x 870 x 555	270
	Water	51	25	425		290
ICE TECH PS 62	Air	55	30	425	595 x 995 x 555	390
	Water	62	30	425		370
ICE TECH PS 82	Air	79	37	650	675 x 995 x 555	380
	Water	82	37	650		360
ICE TECH PS 122	Air	120	50	775	845 x 995 x 555	425
	Water	128	50	775		405

CD

Like Diamond!



General Features

Natural shaped Ice! The optimal solution for long lasting freshness.

ICE TECH CD flaker ice makers will give you optimal cooling for a wide variety of products and applications.

Fresh food displays in Supermarkets and fast serve restaurants, sea food conservation and cocktails are just some day-to-day examples. But flakers are equally wide spread and used in laboratories, health care, industrial and very diverse scientific environments.

Flake ice enables various sectors to maintain temperatures controlled and thus ensuring security in food, commercial, scientific and industrial applications.

The high grade foodsafe stainless steel and superior density isolation will ensure quality with an optimized energy consumption.

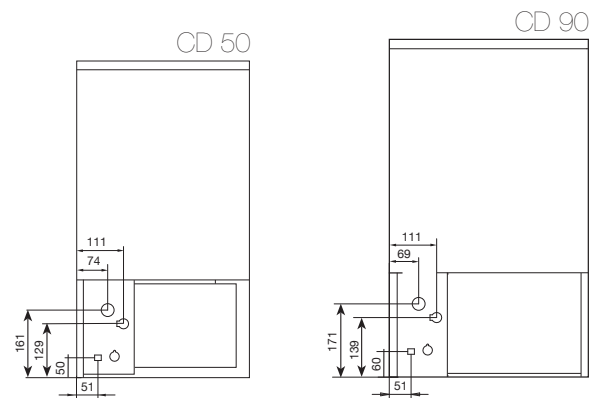
Technical Features / Operating Limits

Ice	Pearl Ice is soft & longer-lasting
Body	AISI 304 Stainless Steel
Vertical Cylindrical Evaporator	ICE TECH DIAMOND machine has a vertical evaporator and heavy duty auger in the top. Diamond ice is made by compressing flake into soft parts of ice
Electromechanic Controls	machines are timer and thermostat operated. Simple, easy to understand and service. High reliability and low spare parts cost
Switch	External On/Off switch
Tropicalized Machines	Class T
Range	Air Temperature: 5 – 40 °C Water Temperature: 5 – 35 °C Pressure: 0,7 – 6 bar
Ice Production Capacity	Kg/24h at Ambient Temperature 15°C, Water Temperature 10°C
Certification	ISO 9001, CE
Others	Refrigerant R404 Water inlet connection 3/4" Gas Drain 20mm. connection Single phase input 220V–50Hz / 220V-60Hz

Diamond Ice




Installation Scheme / mm.



Range

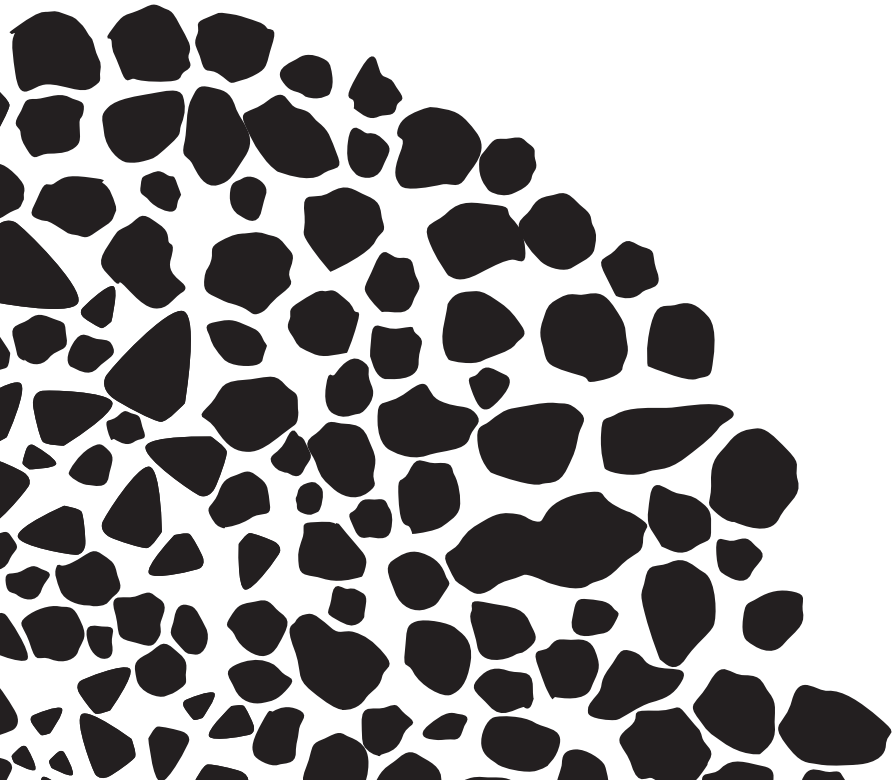


Model

Model	Condensation System	Production Kg. / Day	Storage Kg.	Maximum Power Input W.	 WIDTH x DEPTH x HEIGHT Dimensions mm.	Refrigerant R404 Gr.
ICE TECH CD 50	Air	40	14	460	405 x 515 x 750	210
	Water	42	14	460		180
ICE TECH CD 90	Air	85	20	533	465 x 595 x 790	280
	Water	88	20	533		220

GR

Natural Shaped Ice!



General Features

Natural shaped Ice! The optimal solution for long lasting freshness.

ICE TECH GR flaker ice makers will give you optimal cooling for a wide variety of products and applications.

Fresh food displays in Supermarkets and fast serve restaurants, sea food conservation and cocktails are just some day-to-day examples. But flakers are equally wide spread and used in laboratories, health care, industrial and very diverse scientific environments.

Flake ice enables various sectors to maintain temperatures controled and thus ensuring security in food, commercial, scientific and industrial applications.

The high grade foodsafe stainless steel and superior density isolation will ensure quality with an optimized energy consumption.

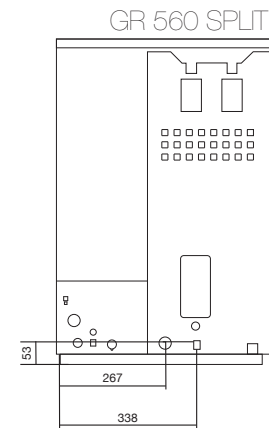
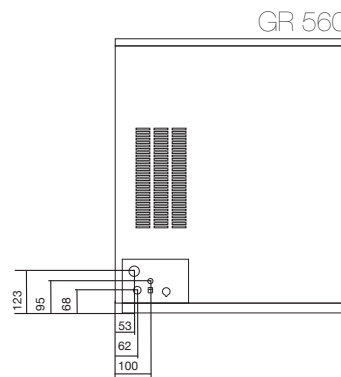
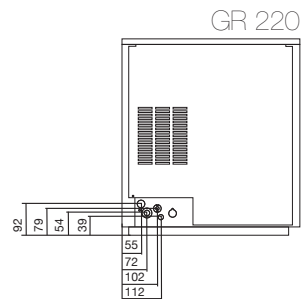
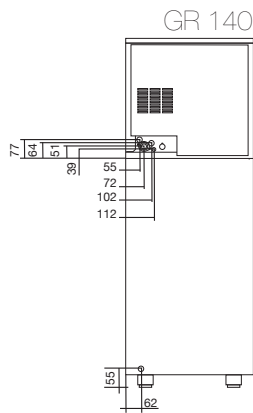
Technical Features / Operating Limits

Ice	Flake Ice ideal for fish counter, keeping salad bar fruits and soft drink displays
Body	AISI 304 Stainless Steel
Vertical Cylindrical Evaporator	The gearbox, the motor protection device and the bearing have been designed by ICE TECH to provide full reliability and long life
Switch	machines are timer and switch operated. Simple, easy to understand and service. High reliability and low spare
Accessories	ICE TECH GR machine comes with a scoop, bin ice distributor and water filter
Range	Air Temperature: 5 – 40 °C Water Temperature: 5 – 35 °C Pressure: 0,7 – 6 bar
Ice Production Capacity	Kg/24h at Ambient Temperature 15°C, Water Temperature 10°C
Certification	ISO 9001, CE
Others	Refrigerant R404 Water inlet connection 3/4" Gas Drain 20mm. connection Single phase input 220V–50Hz / 220V-60Hz

Flake Ice



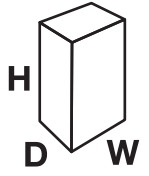
Installation Scheme / mm.



Range

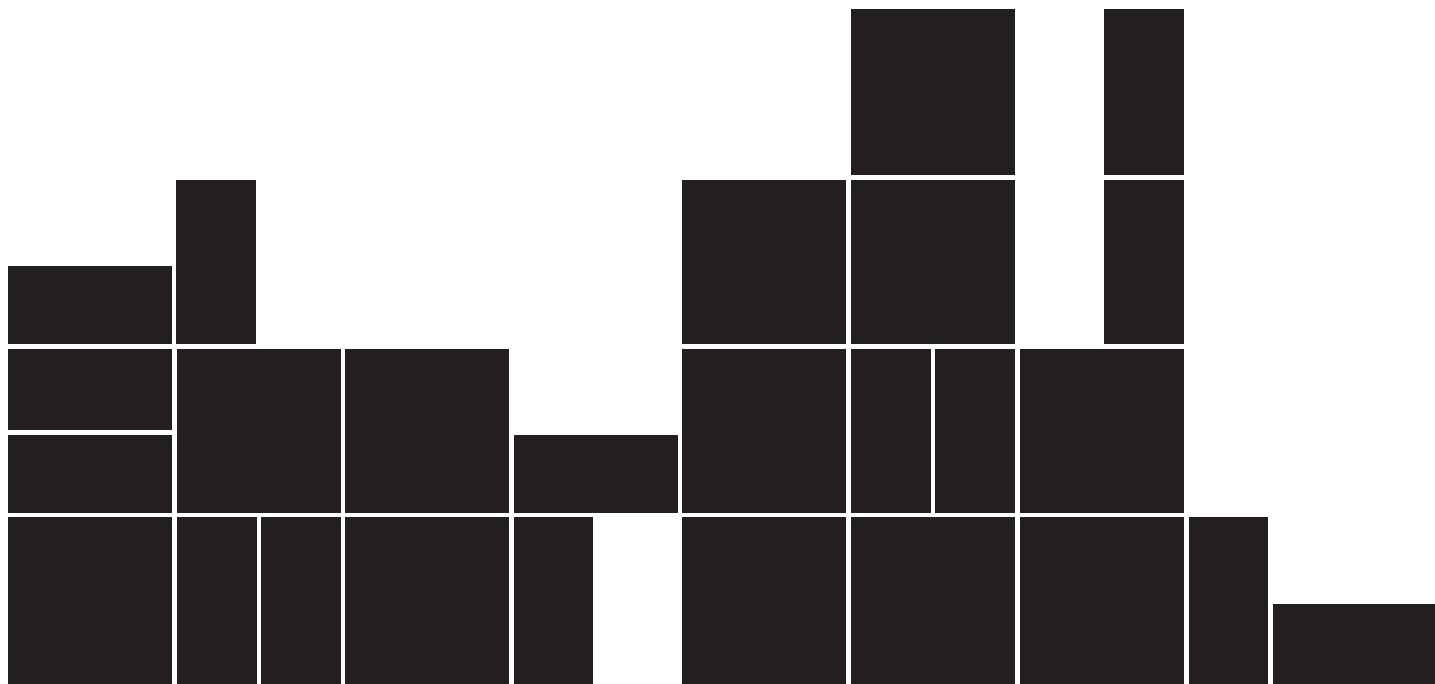


Model

Model	Condensation System	Production Kg. / Day	Storage Kg.	Maximum Power Input W.	 WIDTH x DEPTH x HEIGHT Dimensions mm.	Refrigerant R404 Gr.
ICE TECH GR 140	Air	135	60	640	515 x 550 x 1355	450
	Water	139	60	640		360
ICE TECH GR 220	Air	220	MODULAR	780	515 x 550 x 790	430
	Water	225	MODULAR	780		400
ICE TECH GR 560	Air	565	MODULAR	1700	675 x 500 x 800	1050
	Water	570	MODULAR	1700		1040
ICE TECH GR 560 SPLIT	Air	565	MODULAR	600	525 x 410 x 815	-

FD/HD

Game Over!



General Features

A small cube for heavy duty applications!

The special shape of the Diced ice cube provides optimal beverage contact making this type of ice cube ideal in heavy duty purposes in cooling drinks. Diced ice cubes are frozen on a vertical evaporator.

The ice can be made very quickly and is thus ideal for outlets needing high volumes of ice, such as fast serve dining. The equipment is characterised by small footprint and improves the output / footprint ratio. Nevertheless diced ice is also of great general purpose throughout the hospitality industry.

Dice cubes are available in two different sizes to suit your specific need.

Water is sprinkled over the surface of the vertical evaporator grid plate with each cube forming in a cell on the grid. This is the most cost-efficient system where volume is a key request. The machine is compact, requires less floor space than a machine with a horizontal evaporator.

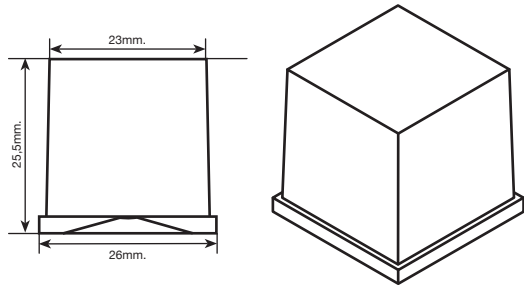
The high grade foodsafe stainless steel and superior density isolation will ensure quality with an optimized energy consumption.

Technical Features / Operating Limits

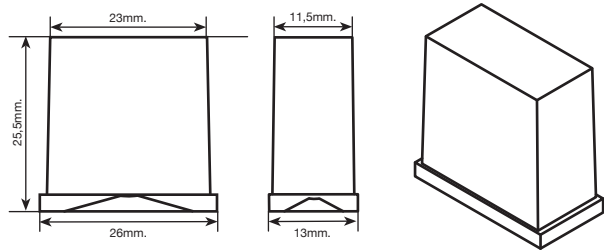
22
23

Ice Cube	Full: 23 x 23 x 26mm Half: 23 x 11 x 26mm
Body	AISI 304 Stainless Steel
Vertical Evaporator System	special ICE TECH FD/HD water distribution system. The ICE TECH FD/HD machine produces pure & crystal-clear cube ice Think ICE TECH FD/HD machine as a partner, designer to be easier to use. The modular ICE TECH FD/HD machine produce half or full cubes
Electronic Control	simple, easy to understand and service. High reliability and low spare parts cost
Stackable	Possibility to stack two units with the special ice chute assembly.
Tropicalized Machines	Class T
Range	Air Temperature: 5 – 40 °C Water Temperature: 5 – 35 °C Pressure: 0,7 – 6 bar
Ice Production Capacity	Kg/24h at Ambient Temperature 15°C, Water Temperature 10°C
Certification	ISO 9001, CE
Others	Refrigerant R404 Water inlet connection 3/4" Gas ICE TECH FD / ICE TECH HD 215 single phase input 220V/50Hz / 220V/60Hz ICE TECH FD / ICE TECH HD 415 III phase input 380V/50-60Hz

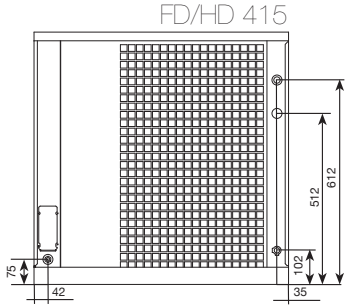
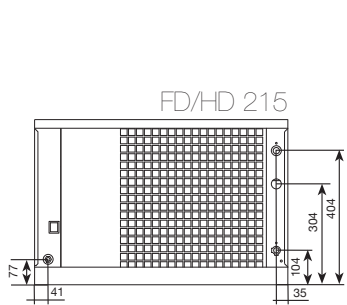
Full Dice Ice Cube



Half Dice Ice Cube




Installation Scheme / mm.



Range

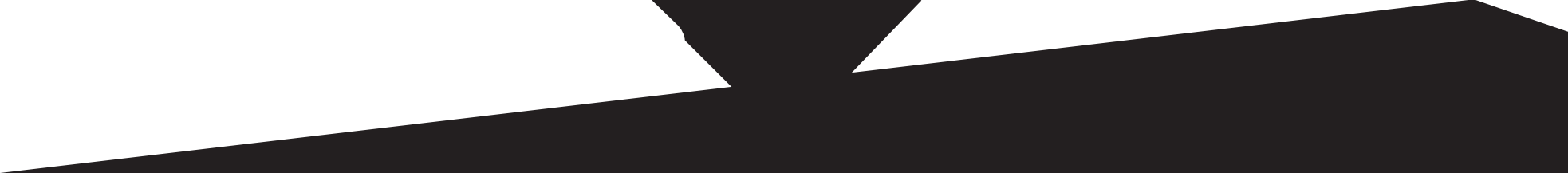
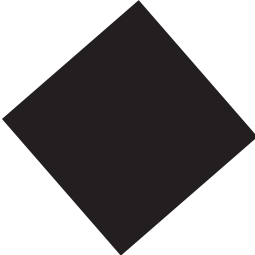
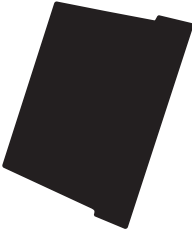
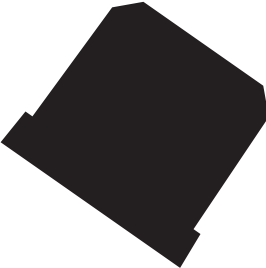


Model

Model	Condensation System		Production Kg. / Day	Storage Kg.	Maximum Power Input W.	 WIDTH x DEPTH x HEIGHT Dimensions mm.	Refrigerant R404 Gr.
	Air	Water					
ICE TECH FD/HD 215	Air		212	Modular	1200	762 x 620 x 500	1500
	Water		215	Modular	1200		1500
ICE TECH FD/HD 415	Air		403	Modular	1200	762 x 620 x 760	2500
	Water		412	Modular	1200		2500

BIN

Stock System



General Features

ICE TECH BINS storage systems for high demand of ice in a short time!

The optimal consolidated solution for the proper storage of ice.

Nice for all shapes of ice, easy and convenient ice extraction.

With all necessary hygienic and sanitary guarantees.

Available the ice storage range and the ice storage & cart range, the last one use gravity for ice removal and castered carts to easier delivery labor.

Technical Features / Operating Limits

Ice	All Ice Shapes
Body	AISI 304 Stainless Steel
Certification	ISO 9001, CE

Range



B 190



B 340



B 480

SLOPE FRONT BIN



BC 240



BC 340


BIN / CART COMBO



C 100

CART

Model

Model	Storage Kg.	 WIDTH x DEPTH x HEIGHT Dimensions mm.	Volume m3	Net Weight Kg.
ICE TECH B 190	200	835 x 900 x 1040	0,78	80
ICE TECH B 340	350	1470 x 780 x 1010	1,16	90
ICE TECH B 480	500	1395 x 900 x 1300	1,63	135
ICE TECH BC 240	250	798 x 1026 x 1539	1,20	200
ICE TECH BC 340	350	798 x 1026 x 1920	1,50	215
ICE TECH C 100	109	659 x 1065 x 904	1	68



B 480 + FD 415

FIND THE BIN THAT FITS YOUR ICE MACHINE

SLOPE FRONT BIN						BIN / CART COMBO					
Model	B 190		B 340		B 480		Model	BC 240		BC 350	
Machines	1	2	1	2	1	2	Machines	1	2	1	2
FD/HD 215	●	●	●	●	●	●	FD/HD 215	●	●	●	●
FD/HD 415	●		●	●	●	●	FD/HD 415	●	●	●	●
GR 220	●		●	●	●	●	GR 220	●		●	
GR 560	●		●	●	●	●	GR 560	●		●	

Best choice
 Not best choice

ICE USAGE GUIDE & INSTALLATION GUIDELINES

FOOD SERVICE

APPROXIMATE ICE USAGE PER DAY

RESTAURANT	1.5lbs./0,8Kg. per person
COCKTAIL	3lbs./1.65Kg. per person/seat
WATER GLASS	4oz./115grs. per 10oz./300ml. Glass
SALAD BAR	40lbs./640Kg. per cubic foot
FAST FOOD	5oz./140grs. per 7-10oz./200-300ml. Drink
	8oz./225grs. per 12-16oz./350-475ml. Drink
	12oz./340grs. per 18-24oz./530-710ml. Drink

LODGING

APPROXIMATE ICE USAGE PER DAY

GUEST ICE	5lbs./2.75Kg. per room
RESTAURANT	1.5lbs/0.8Kg. per person
COCKTAIL	3lbs/1.65Kg. per person/seat
CATERING	1lbs./0.55Kg. per person

HEALTHCARE

APPROXIMATE ICE USAGE PER DAY

PATIENT ICE	10lbs./5.5Kg. per bed
CAFETERIA	1lbs./0.55Kg. per person

CONVENIENCE STORE

APPROXIMATE ICE USAGE PER DAY

BEVERAGE	6oz./170grs. per 12oz./350ml. drink
COLD PLATE	10oz./280grs. per 20oz./350ml. drink
PACKAGED ICE	16oz./450grs. per 32oz./950ml. drink
	50% more ice per day
	lbs. per bag per units sold each day

BEVERAGE SERVICE

APPROXIMATE ICE USAGE PER DAY

DRINKS	40% ice per drink per drinks served on peak day
--------	---

FILTERS



General Features

Water quality plays an important role in food service. Not only does water quality determine the taste and quality of all beverages served, it also has a dramatic effect on equipment effectiveness, maintenance costs and equipment longevity.

ICE TECH FILTERS water filtration kits provide high quality water resulting in:

- Better ice and beverage quality.
- Lower equipment maintenance costs.
- Longer and more effective equipment operation.

ICE TECH FILTERS water filtration kits remove:

SEDIMENT: Found in most water supplies contributing to cloudy ice and equipment issues.

CHLORINE: Imparts an unpleasant taste and odor in water reducing the quality of beverages served.

LIMESTONE: That is the main problem in hard waters.

Water filtration kits also addresses the first cause of equipment issues-mineral scale deposits that decrease daily ice production and greatly increase equipment maintenance costs.

ICE TECH FILTERS filters deliver a specially formulated scale control product that is proven most effective in controlling mineral scale especially in high water hardness environments. Unlike most competitive systems, **ICE TECH FILTERS** scale control product is also delivered at a consistent rate ensuring predictable periods of mineral scale control resulting in mineral scale protection for entire time between filter replacements.

Single Kits include single head with bracket, and Twin Kits include a manifold with pressure gauge and one 1/2" plastic ball valve. Both Kits are available in the 10" (CS-101) or 16" (CS-111) cartridges depending on the ice machine daily production.

Range



Model

	Functioning	Micras	Maximum Power Input W.
SEDIMENT FILTER	MECHANICAL/POLIPROPILENO FIBER/ TISSUE	5	ALL ICE MACHINES
CHLORINE FILTER	ACTIVE COAL/PARTICLES	5	ICE MACHINES UP TO 120 KG./24h.
MINERALS & CHLORINE FILTER CS101	REDUCTION/ACTIVE COAL/PARTICLES CHLORAMINE	5	ICE MACHINES UP TO 120KG./24h.+ ICE TEAM CD & GR
MINERALS & CHLORINE FILTER XL CS111	REDUCTION/ACTIVE COAL/PARTICLES CHLORAMINE	5	ICE MACHINES FROM 120 TO 200KG./24h.
MINERALS & CHLORINE FILTER TWIN CS102	REDUCTION/ACTIVE COAL/PARTICLES CHLORAMINE	5	ICE MACHINES FROM 200 TO 340KG./24h.
MINERALS & CHLORINE FILTER XL TWIN CS112	REDUCTION/ACTIVE COAL/PARTICLES CHLORAMINE	5	ICE MACHINES FROM 340KG./24h.
INSURICE FILTER	CHLORINE REDUCTION/LIMESTONES UP TO 60°/ACTIVE COAL/PARTICLES	0.5	ICE MACHINES FROM 340KG./24h.
MINERALS REMOVER EURO C3	CHRONOMETER/SALT/3,5 L RESIN		ALL ICE MACHINES AND HOSPITALITY BUSINESS
CALKLIN 50	ICE MACHINES ANNUAL CLEANING		ICE MACHINES UP TO 60KG./24h.
CALKLIN 200	ICE MACHINES ANNUAL CLEANING		ICE MACHINES UP TO 60KG./24h.



ICE TECH ICE CUBE MAKERS
P.I. LA REVA, AV. GREMIS 1
46190 RIBARROJA-VALENCIA-SPAIN
PHONE: +34 961 667 636 FAX: +34 961 668 944
www.icetechice.com / sales@icetechice.com